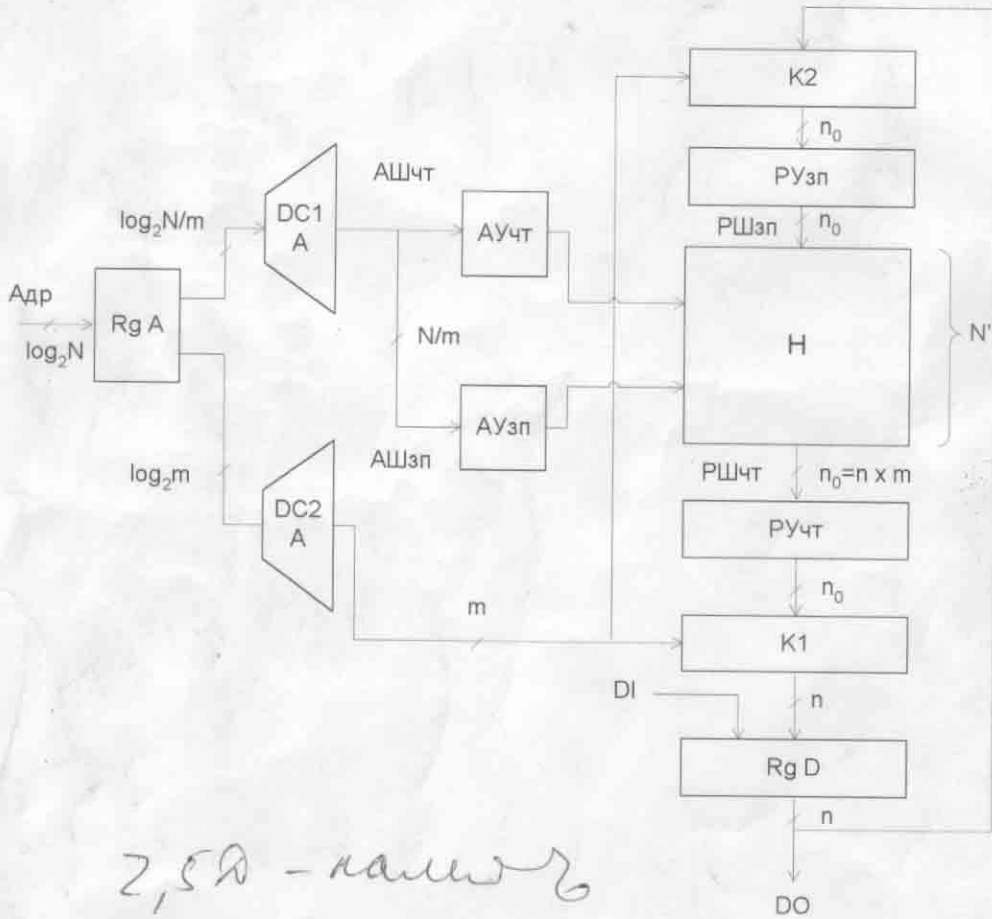
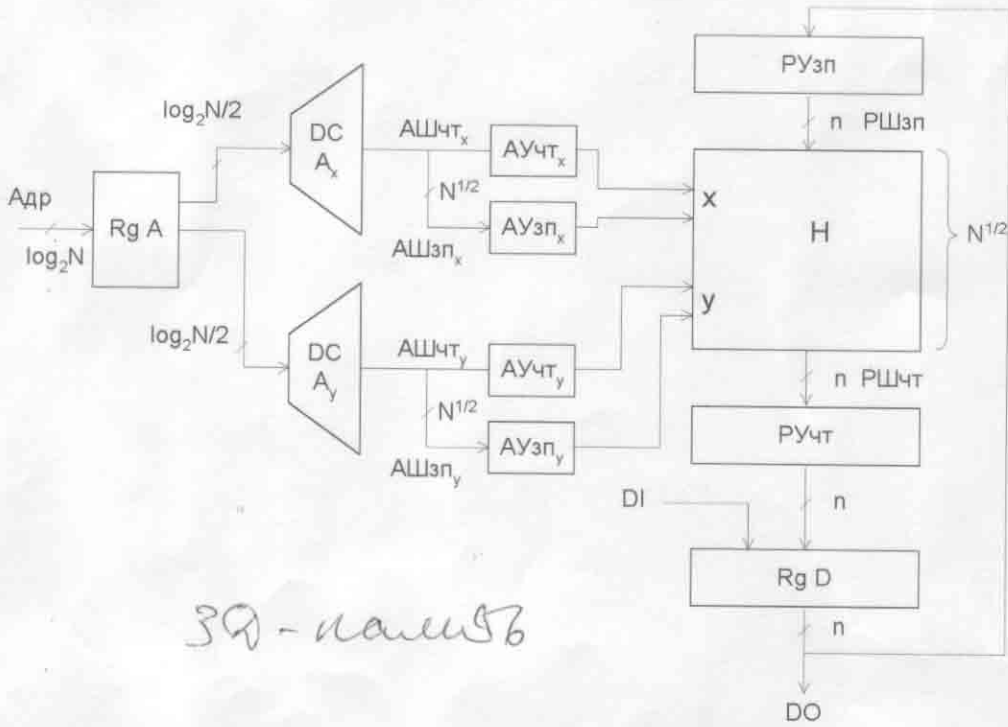


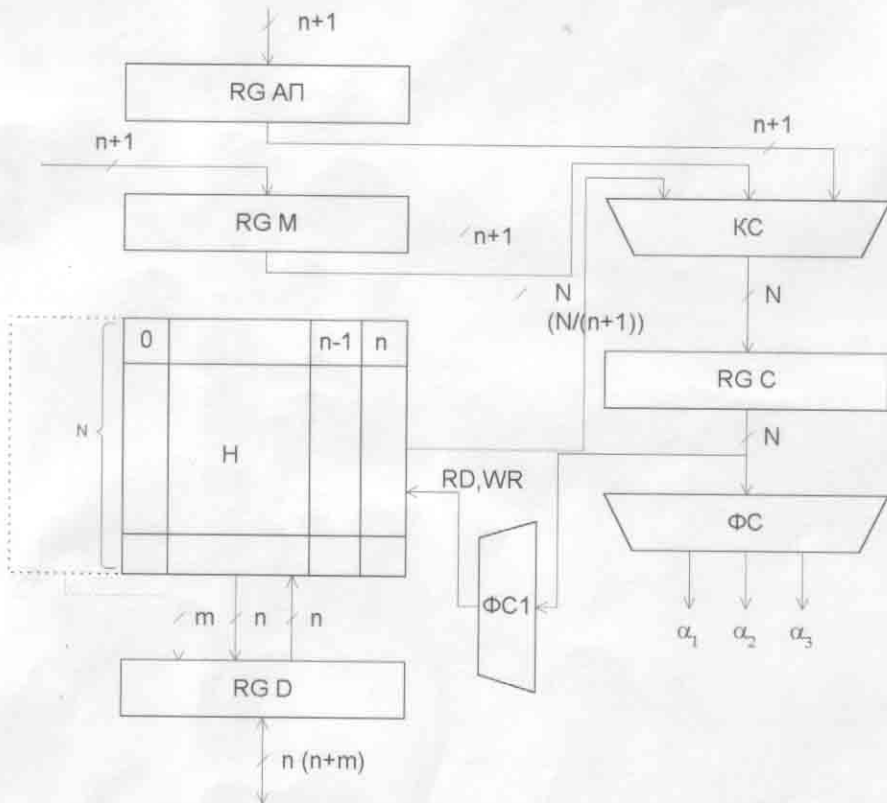
*2D-процессор*



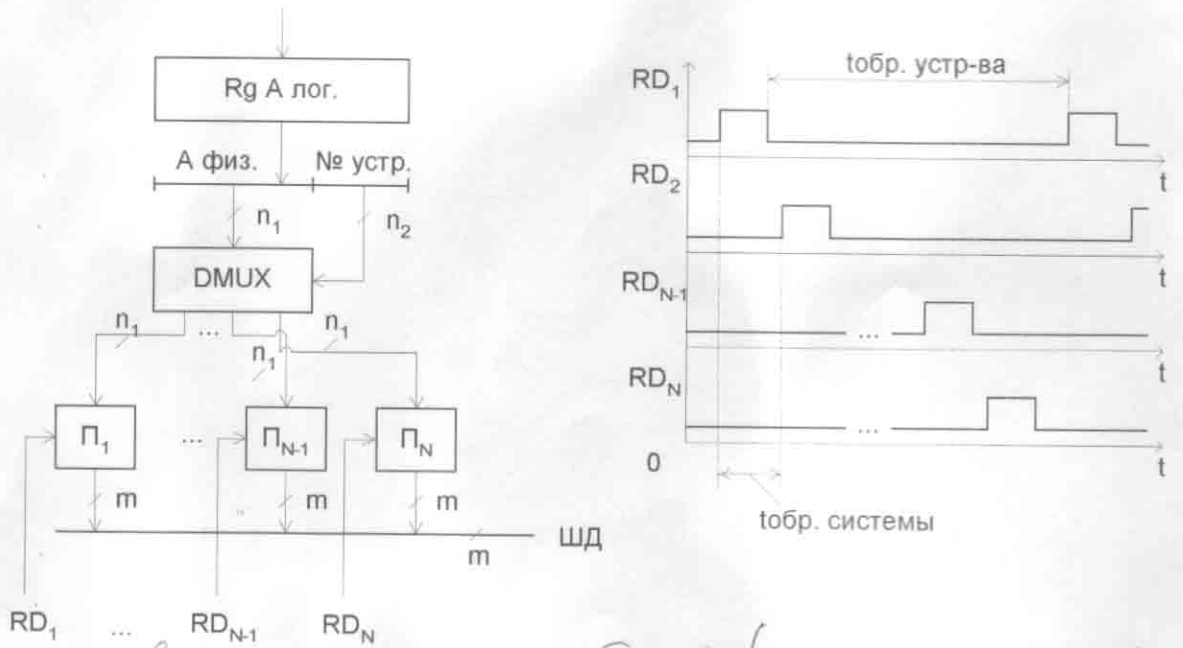
*2,5D-процессор*



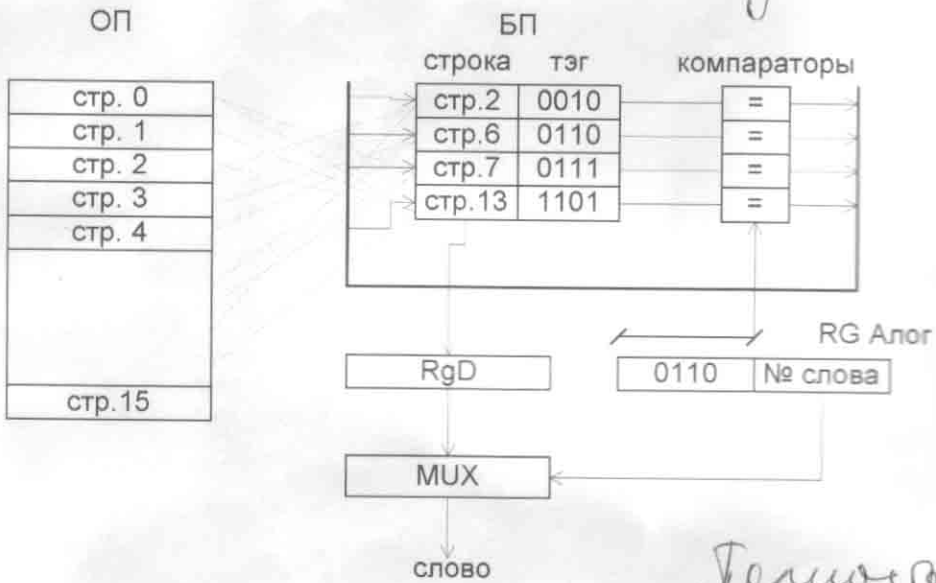
39 - камбу



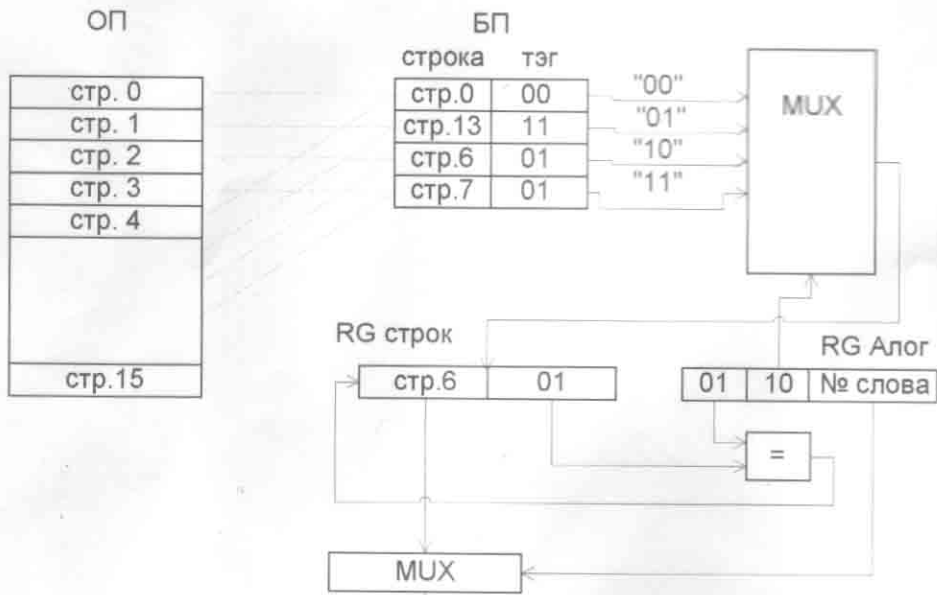
Тек ассиметрично  
камера



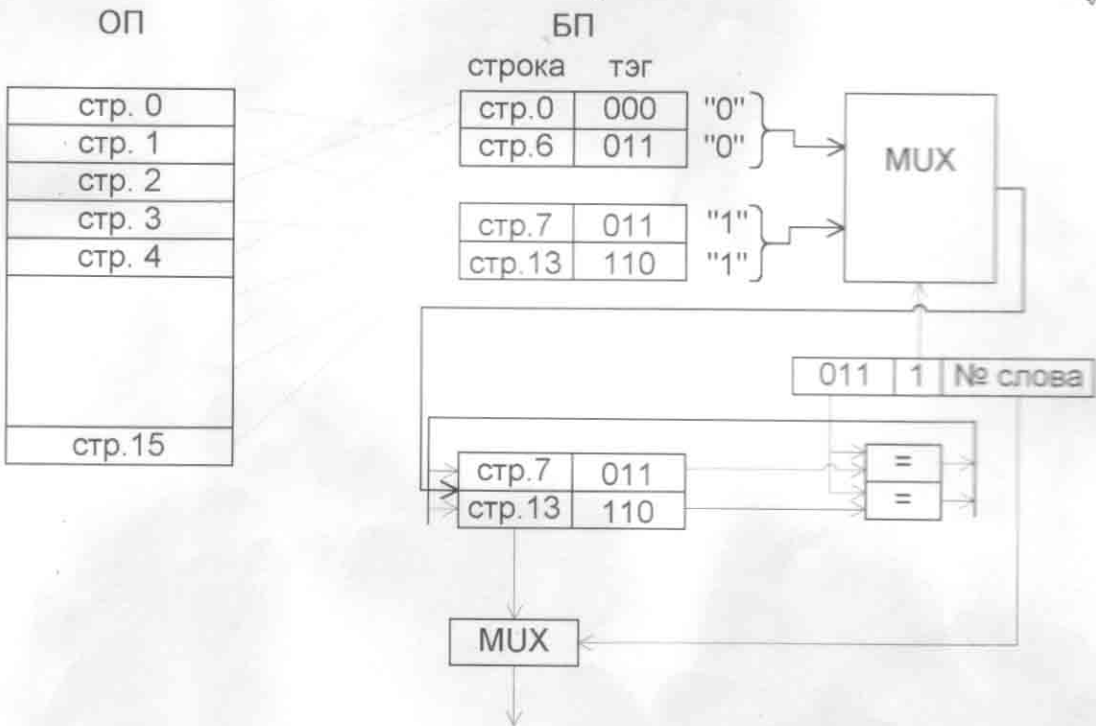
*Система памяти с распределением*



~~Выражение~~ *Только ассоциативная память*



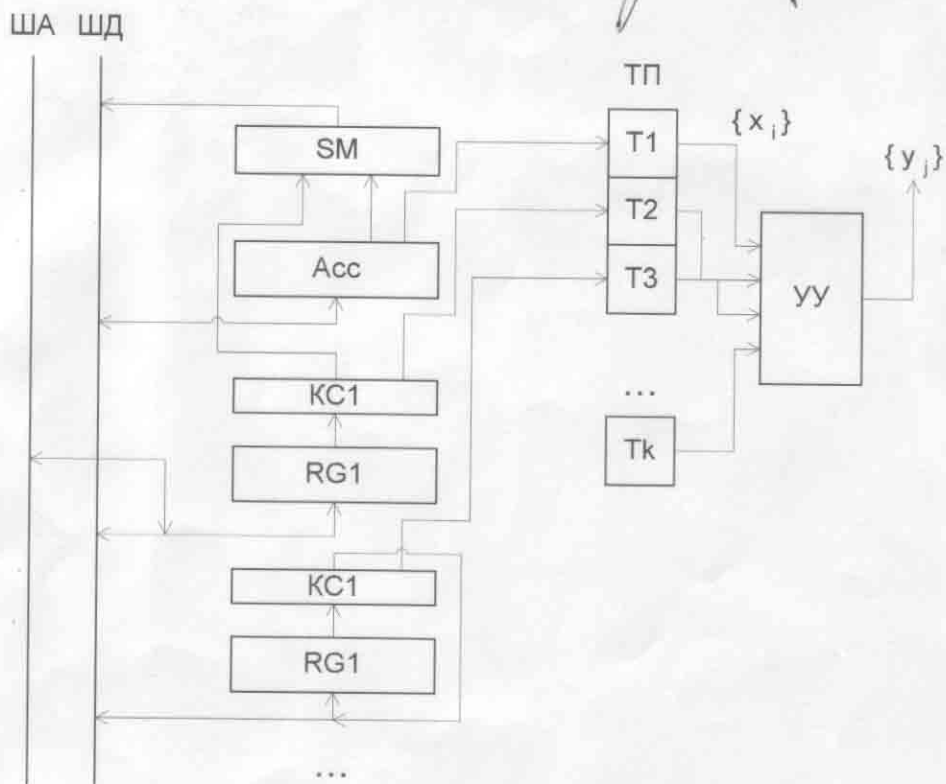
*КЭИ с приемом вбодит*



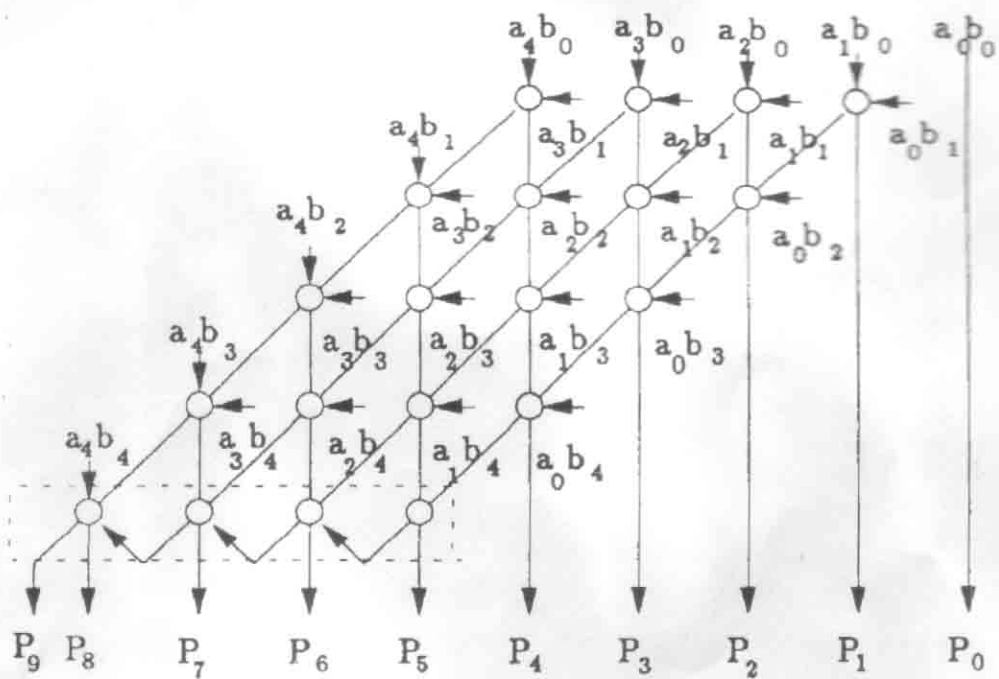
*Множество - все.  
КЭИ - память.*

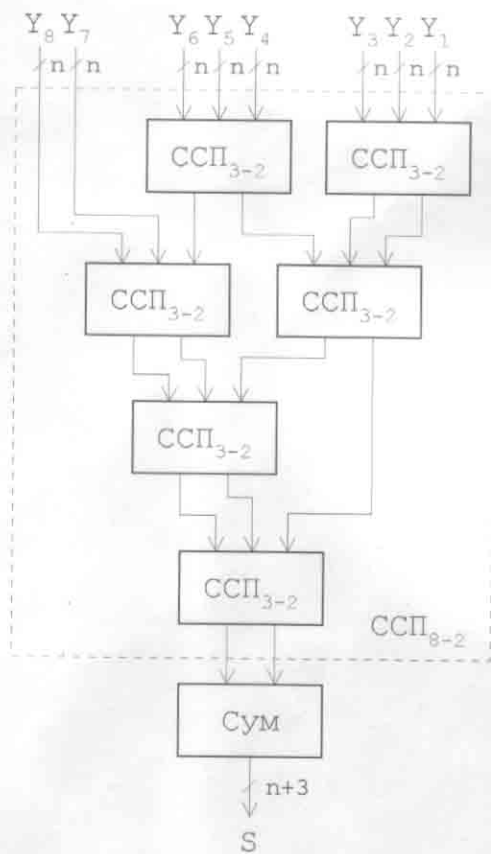
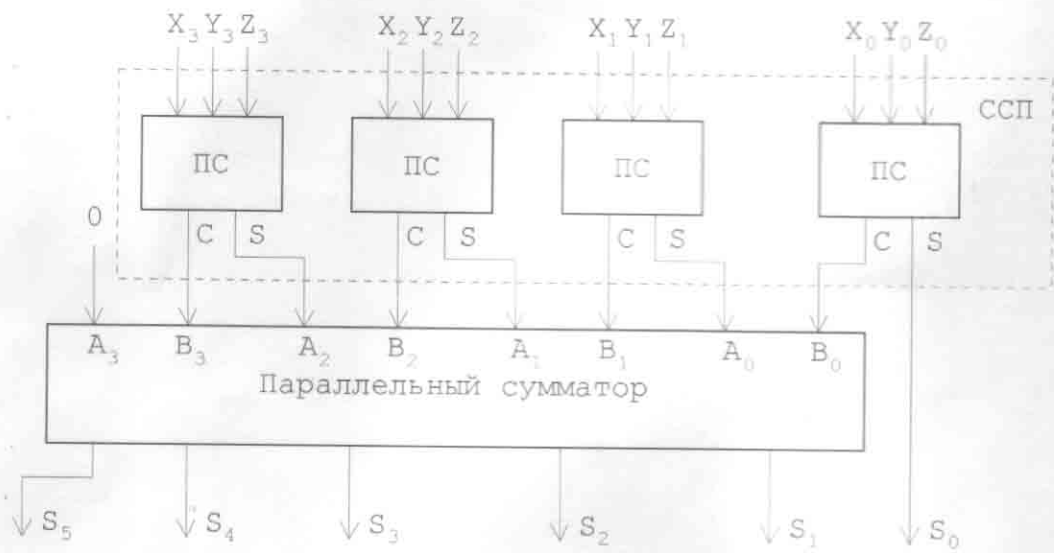


*Логическая организация процессора*



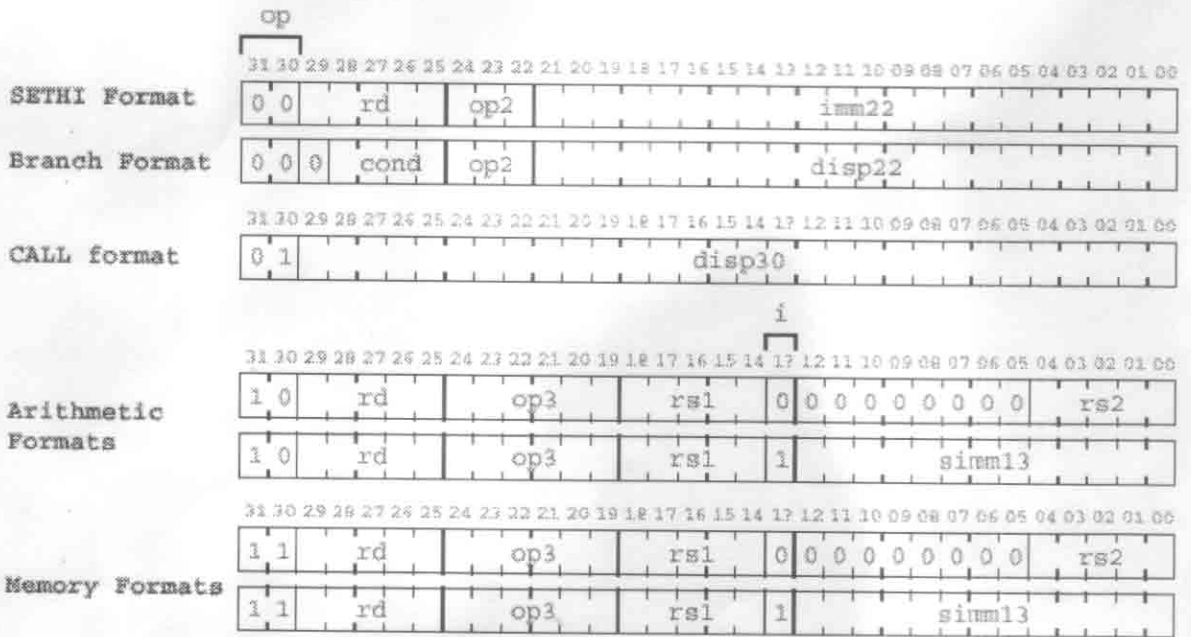
*Операционный автомат  
I - типа*





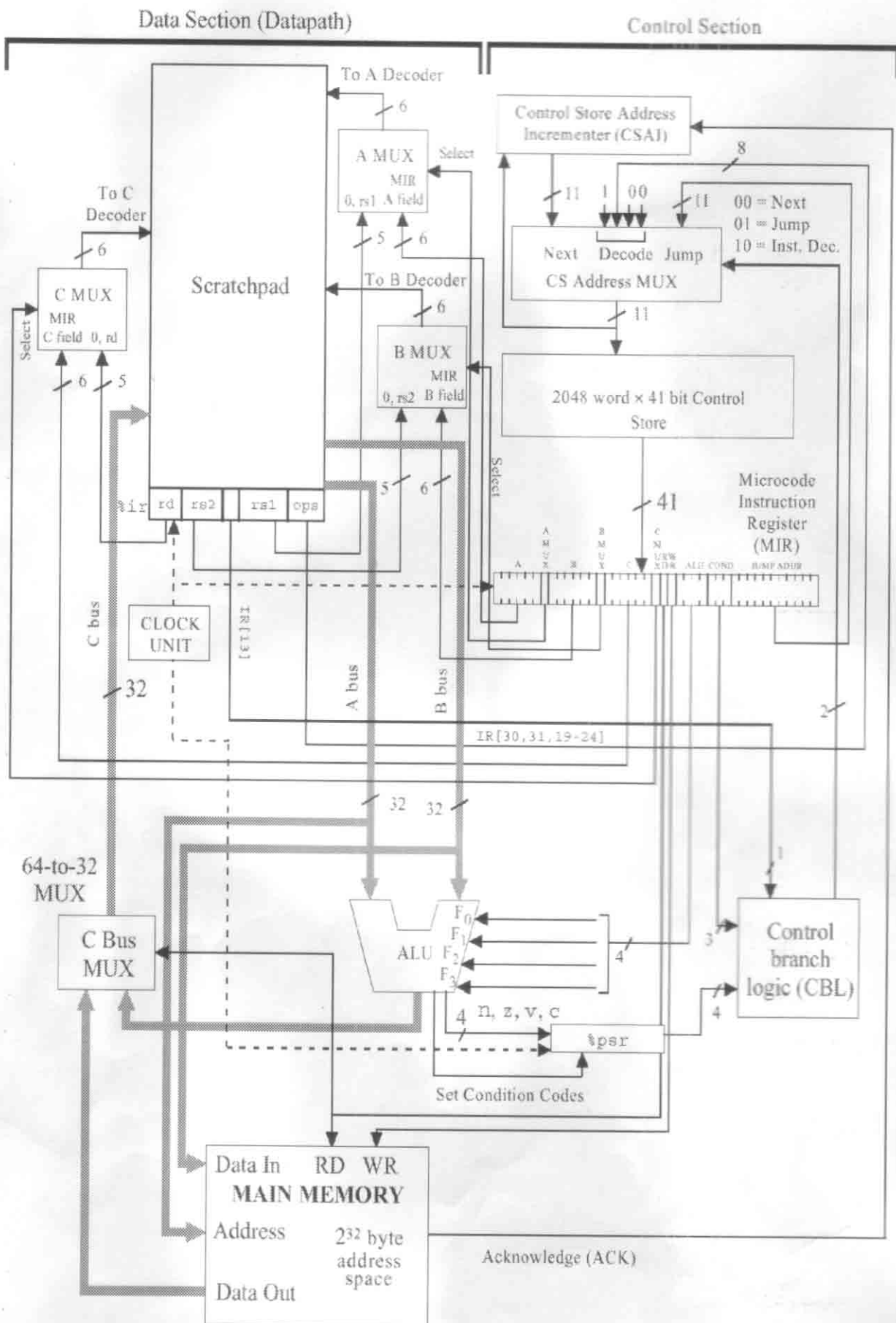
| $F_3$ $F_2$ $F_1$ $F_0$ | Operation    | Changes Condition Codes |
|-------------------------|--------------|-------------------------|
| 0 0 0 0                 | ANDCC (A, B) | yes                     |
| 0 0 0 1                 | ORCC (A, B)  | yes                     |
| 0 0 1 0                 | NORCC (A, B) | yes                     |
| 0 0 1 1                 | ADDCC (A, B) | yes                     |
| 0 1 0 0                 | SRL (A, B)   | no                      |
| 0 1 0 1                 | AND (A, B)   | no                      |
| 0 1 1 0                 | OR (A, B)    | no                      |
| 0 1 1 1                 | NOR (A, B)   | no                      |
| 1 0 0 0                 | ADD (A, B)   | no                      |
| 1 0 0 1                 | LSHIFT2 (A)  | no                      |
| 1 0 1 0                 | LSHIFT10 (A) | no                      |
| 1 0 1 1                 | SIMM13 (A)   | no                      |
| 1 1 0 0                 | SXRT13 (A)   | no                      |
| 1 1 0 1                 | INC (A)      | no                      |
| 1 1 1 0                 | INCPC (A)    | no                      |
| 1 1 1 1                 | RSHIFT5 (A)  | no                      |

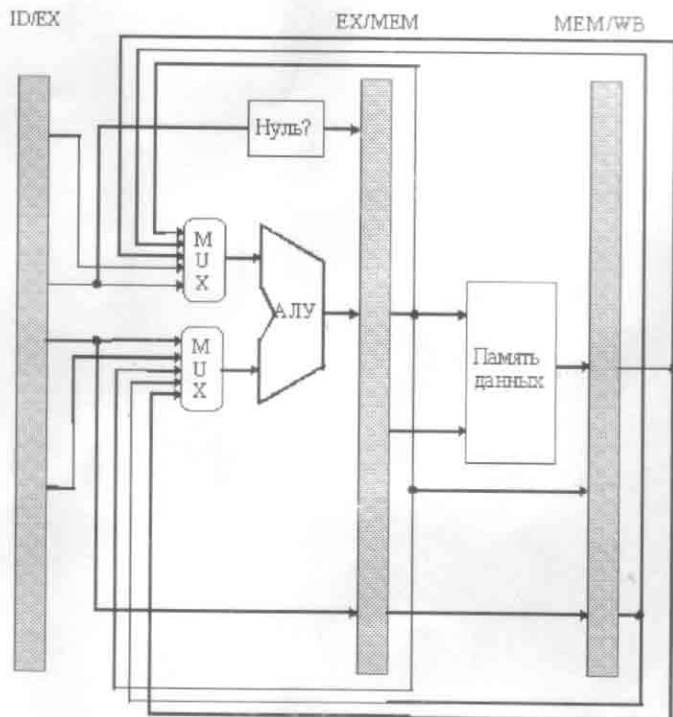




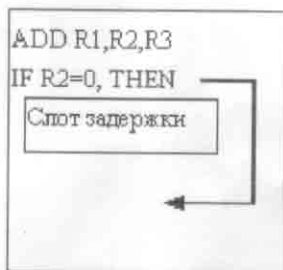
| op | Format       | op2 | Inst.  | op3 (op=10)  | op3 (op=11) | cond | branch |
|----|--------------|-----|--------|--------------|-------------|------|--------|
| 00 | SETHI/Branch | 010 | branch | 010000 addcc | 000000 ld   | 0001 | be     |
| 01 | CALL         | 100 | sethi  | 010001 andcc | 000100 st   | 0101 | bcs    |
| 10 | Arithmetic   |     |        | 010010 orcc  |             | 0110 | bneg   |
| 11 | Memory       |     |        | 010110 orncc |             | 0111 | bvs    |
|    |              |     |        | 100110 srl   |             | 1000 | ba     |
|    |              |     |        | 111000 jmpl  |             |      |        |



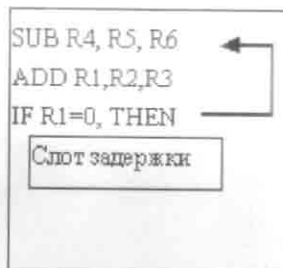




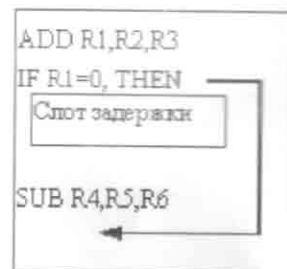
Было (a)



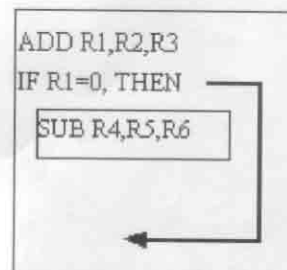
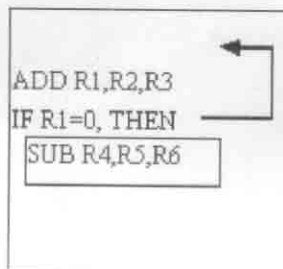
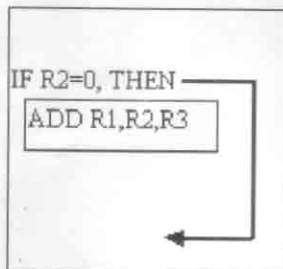
(b)

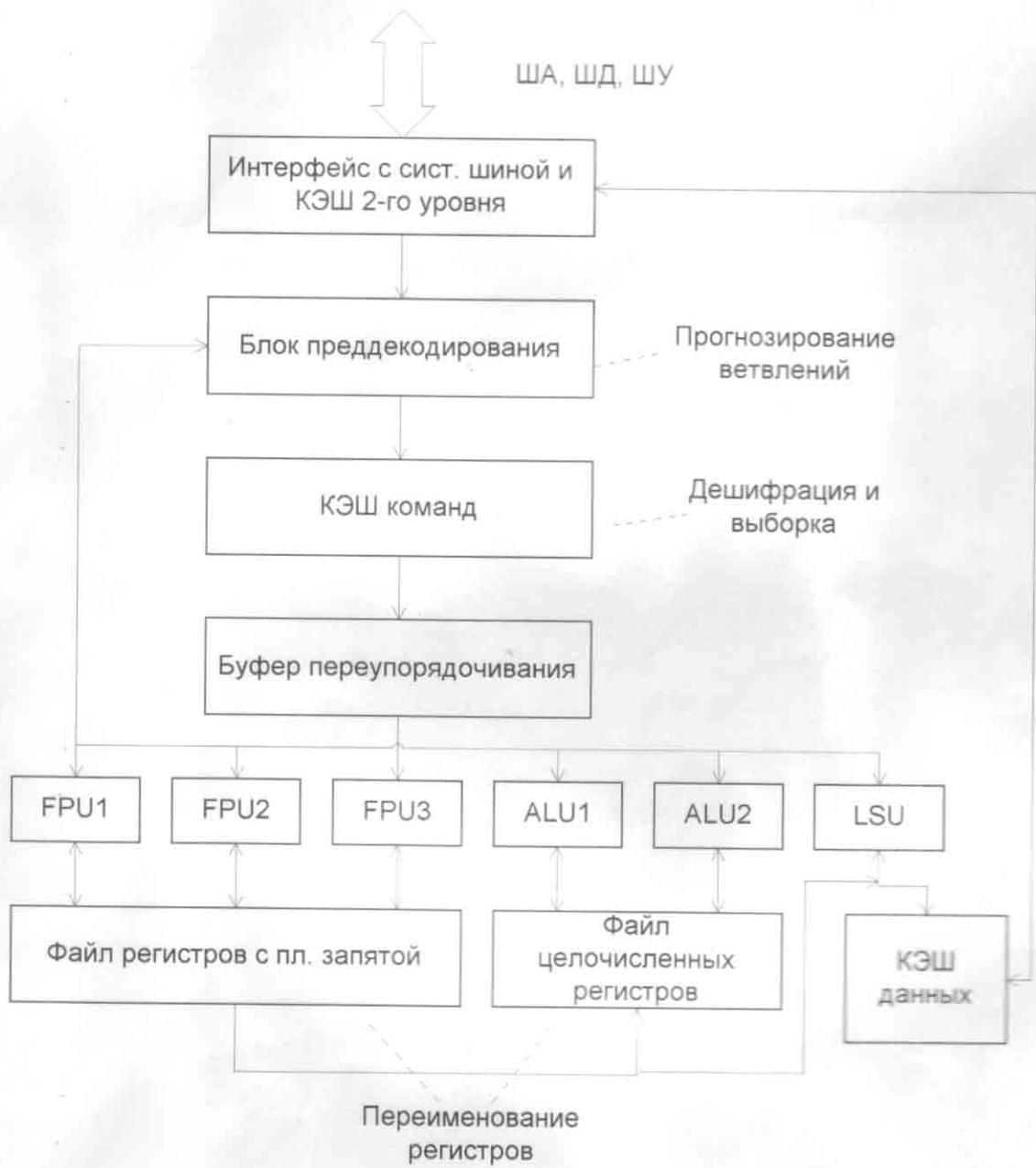


(c)



Стало





| Intel Processor | Date of Product Introduction | Performance in MIPs <sup>1</sup> | Max. CPU Frequency at Introduction | No. of Transistors on the Die | Main CPU Register Size <sup>2</sup> | Extern. Data Bus Size <sup>2</sup> | Max. Extern. Addr. Space | Caches in CPU Package <sup>3</sup> |
|-----------------|------------------------------|----------------------------------|------------------------------------|-------------------------------|-------------------------------------|------------------------------------|--------------------------|------------------------------------|
| 8086            | 1978                         | 0.8                              | 8 MHz                              | 29 K                          | 16                                  | 16                                 | 1 MB                     | None                               |
| Intel 286       | 1982                         | 2.7                              | 12.5 MHz                           | 134 K                         | 16                                  | 16                                 | 16 MB                    | Note 3                             |
| Intel386™ DX    | 1985                         | 6.0                              | 20 MHz                             | 275 K                         | 32                                  | 32                                 | 4 GB                     | Note 3                             |
| Intel486™ DX    | 1989                         | 20                               | 25 MHz                             | 1.2 M                         | 32                                  | 32                                 | 4 GB                     | 8KB L1                             |
| Pentium®        | 1993                         | 100                              | 60 MHz                             | 3.1 M                         | 32                                  | 64                                 | 4 GB                     | 16KB L1                            |
| Pentium Pro     | 1995                         | 440                              | 200 MHz                            | 5.5 M                         | 32                                  | 64                                 | 64 GB                    | 16KB L1;<br>256KB or<br>512KB L2   |

